

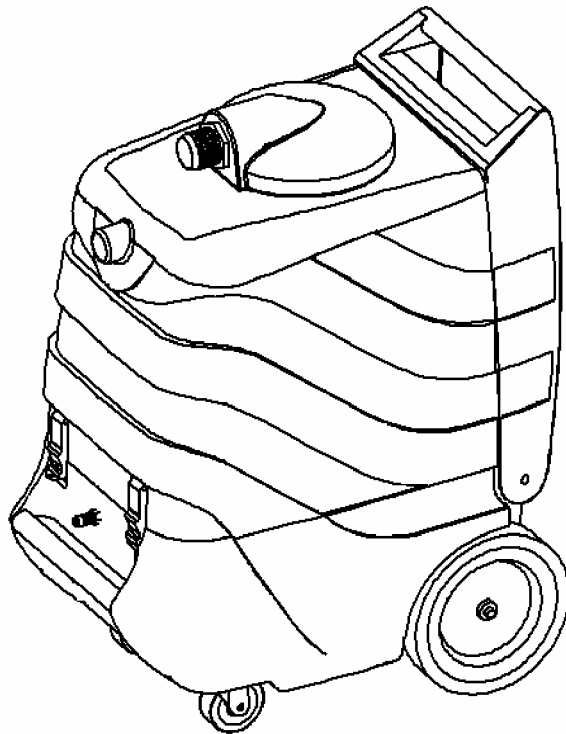
# **KLEENRITE®**

## **36303**

**Mega Water Extractor and Pump**

**Model No.:**  
**36303 – 15 gal Extractor**

**Operator and Parts Manual**



**KLEENRITE**  
1122 MAPLE STREET  
MADERA CA 93637 U.S.A.

**FAX: 1-559-673-5725**  
**CUSTOMER SERVICE: 1-800-241-4865**

**MNL36303**  
**Rev. 00 (05-05)**

# OPERATION

---

This manual is furnished with each new model. It provides necessary operation and maintenance instructions and an illustrated parts list.

**Read this manual completely and understand the machine before operating or servicing it.**

Use the illustrated Parts Lists to order parts. Before ordering parts or supplies, be sure to have your machine model number and serial number handy. Parts and supplies may be ordered by phone or mail from any authorized parts and service center, distributor or directly from Kleenrite.

This machine will provide excellent service. However, the best results will be obtained at minimum costs if:

- The machine is operated with reasonable care.
- The machine is maintained regularly – per the maintenance instructions provided.
- The machine is maintained with manufacturer supplied or equivalent parts.

---

## MACHINE DATA

---

Please fill out at time of installation for future reference.

Model No.- \_\_\_\_\_

Install. Date- \_\_\_\_\_

Serial No.- \_\_\_\_\_

© Kleenrite

Printed in U.S.A.

Kleenrite Equipment is a registered United States trademark

---

## TABLE OF CONTENTS

---

<b>SAFETY PRECAUTIONS .....</b>	<b>3</b>
<b>MACHINE COMPONENTS .....</b>	<b>4</b>
<b>MACHINE SETUP .....</b>	<b>4</b>
<b>MACHINE OPERATION .....</b>	<b>5</b>
<b>MACHINE MAINTENANCE .....</b>	<b>6</b>
<b>STORING MACHINE.....</b>	<b>6</b>
<b>RECOMMENDED STOCK ITEMS .....</b>	<b>7</b>
<b>TROUBLE SHOOTING .....</b>	<b>7</b>
<b>SPECIFICATIONS.....</b>	<b>8</b>
<b>ELECTRICAL DIAGRAM.....</b>	<b>9</b>
<b>PARTS LIST .....</b>	<b>10</b>
<b>WARRANTY POLICY .....</b>	<b>14</b>

# OPERATION

## SAFETY PRECAUTIONS

This machine is intended for commercial use. It is designed to extract water from carpet and hard surfaces and then pump it away from the machine. It is not constructed for any other use.

All operators must read, understand and practice the following safety precautions.

The following safety alert symbols are used throughout this manual as indicated in their description:

**⚠ WARNING: To warn of hazards or unsafe practices which could result in severe personal injury or death.**

**FOR SAFETY: To identify actions which must be followed for safe operation of equipment.**

The following information signals potentially dangerous conditions to the operator or equipment.

### FOR SAFETY:

- 1. Do not operate machine:**
  - Unless trained and authorized.
  - Unless operator manual is read and understood.
  - Around explosive or flammable vapors.
  - To extract flammable or explosive liquids.
  - With damaged cord or plug.
  - If not in proper operating condition.
  - Unless cord is properly grounded.
  - As a dry vacuum.
  - In standing water.
  - With the use of an extension cord.
- 2. Before operating machine:**
  - Make sure all safety devices are in place and operate properly.
- 3. When using machine:**
  - Do not run machine over cord.
  - Do not pull machine by plug or cord.
  - Do not pull cord around sharp edges or corners.
  - Do not unplug by pulling on cord.
  - Do not stretch cord.
  - Do not handle plugs with wet hands.
  - Do not allow water or foam to enter vacuum. Float ball is not activated by foam. Damage not covered by warranty will result.
  - Keep cord away from heated surfaces.
  - Report machine damage or faulty operation immediately.
- 4. Before leaving or servicing machine:**
  - Turn off machine.
  - Unplug cord from wall outlet.
  - Drain all recovered solution from tank.
- 5. When servicing machine:**
  - Unplug cord from wall outlet.
  - Avoid moving parts. Do not wear loose jackets, shirts, or sleeves.
  - Use manufacturer supplied or approved replacement parts.
  - Have service performed by authorized service person.

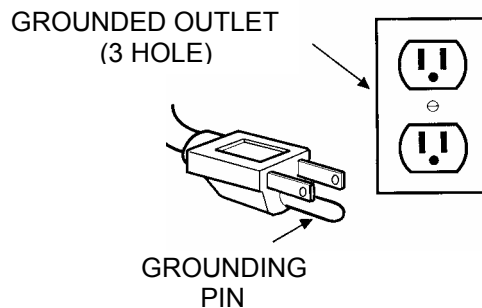
**⚠ WARNING: Hazardous Voltage. Shock or electrocution can result. Always unplug machine before servicing.**

**⚠ WARNING: Flammable materials can cause an explosion or fire. Do not vacuum into tank.**

**⚠ WARNING: Flammable materials or reactive metals can cause an explosion or fire. Do not pick up.**

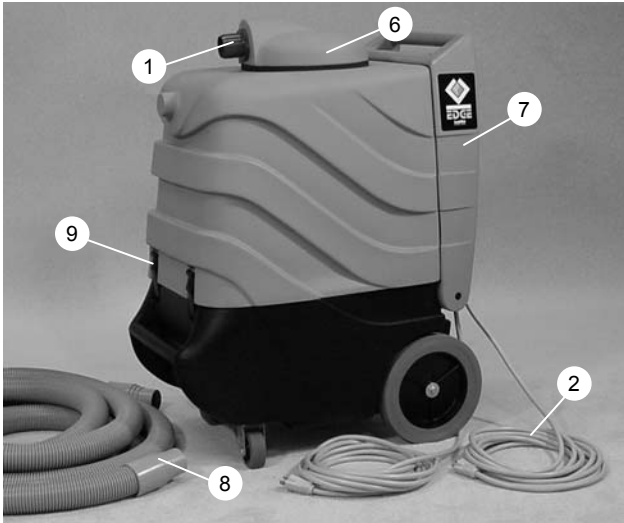
## GROUNDING INSTRUCTIONS

Machine must be grounded. If it should malfunction or breakdown, grounding provides a path of least resistance for electrical current to reduce the risk of electrical shock. This machine is equipped with a cord having an equipment-grounding connector and grounding plug. The plug must be plugged into an appropriate outlet that is properly installed in accordance with all local codes and ordinances. Do not remove ground pin; if missing, replace plug before use. International models will have different cord ends.

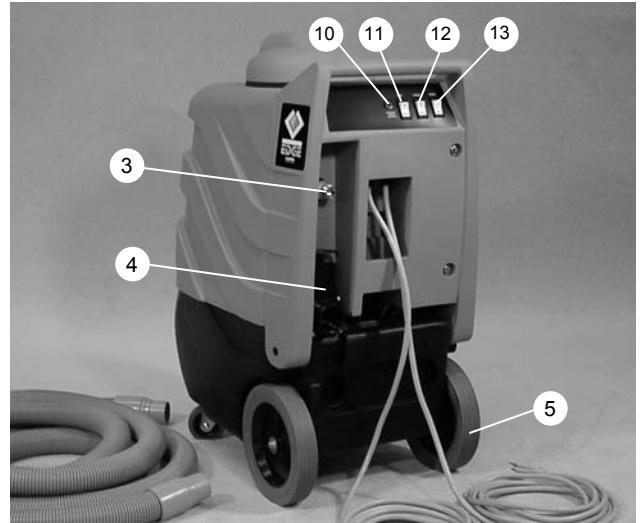


# OPERATION

## MACHINE COMPONENTS



1. Vacuum Inlet
2. Power Cords
3. Discharge Connector
4. Manual Drain
5. 10" Wheels
6. Vacuum Lid
7. Handle



8. 2" Vacuum Hose
9. Tank Latch
10. Separate Circuit Indicator Light
11. Discharge Pump Switch
12. Vacuum #1 Switch
13. Vacuum #2 Switch

## MACHINE SETUP

1. Carefully check carton for signs of damage. Report damages at once to carrier. The machine is shipped fully assembled and is ready for use.
2. Connect hoses and tool to be used. Attach a 3/4" garden hose to the connector on the back of the machine. An inline filter is recommended to prevent excessive lint and debris from entering tank and fouling discharge pump (Figure 1).



Fig. 1

3. Look inside recovery tank and be certain that submersible pump is secured properly to bracket

on the bottom of the tank (Figure 2). Take note of the space between the case of the flood pump and the attached stainless steel bracket. Lower the pump so this space engages the bracket mounted in the bottom of the recovery tank. Also be certain that nothing is obstructing the free movement of the float switch.

**⚠ WARNING: Do not vacuum up flammable materials as they could cause an explosion or fire.**

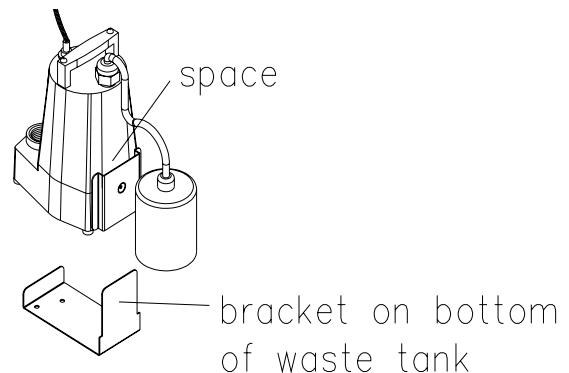


Fig. 2

## OPERATION

- Plug machine's power cords into grounded wall outlets on separate circuits (Figure 3). Green circuit indicator light on switch panel illuminated confirms connection to separate circuits.

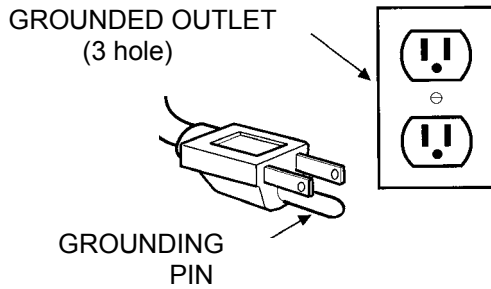


Fig. 3

**FOR SAFETY: Do not operate machine unless cord is properly grounded.**

**FOR SAFETY: Do not operate machine with the use of an extension cord.**

- Secure recovery tank lid in place.

## MACHINE OPERATION

**FOR SAFETY: Do not operate machine unless operator manual is read and understood.**

### PRE-OPERATION

- Inspect power cord for damage.
- Turn on empty-out pump (Figure 4). The discharge pump will not come on until the level inside the recovery tank activates the float switch. Note: the "Auto Discharge" switch must be turned on in order for the discharge pump to cycle on and off.

### EXTRACTING WATER

- Activate both vacuums (Figure 5).



Fig. 4

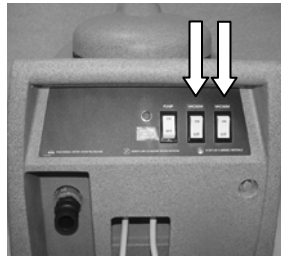


Fig. 5

- Take extraction wand in hand and move the tool in short forward and backward strokes. (Figure 6).

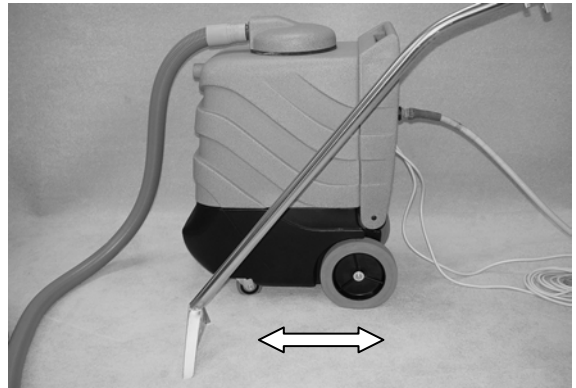


Fig. 6

### WHILE OPERATING

- Overlap each path by 50 mm (2 in).  
**⚠ Warning: Flammable materials or reactive metals can cause an explosion or fire. Do not pick up.**
- Periodically check for excessive foam buildup in recovery tank. Use a recommended foam control solution to prevent vacuum motor damage.

**ATTENTION: Excessive foam buildup will not activate the float shut-off screen.**

**ATTENTION: Discharge pump will not pump foam. Use a defoamer.**

### DRAINING RECOVERY TANK

- Turn off machine after majority of water has been pumped out by discharge pump.
- Insert supplied 45° elbow in drain valve. Place a bucket below it and slowly pull up on handle (Figure 7).



# OPERATION

---

## MACHINE MAINTENANCE

---

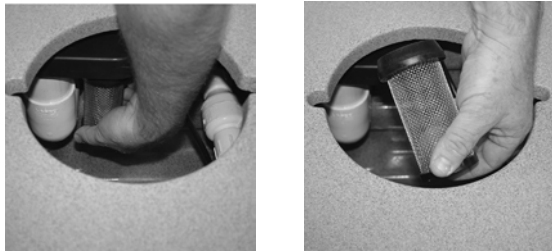
To keep machine in good working condition simple follow machine's daily, weekly, and monthly maintenance procedures.

**For Safety: When servicing machine, unplug cord from wall outlet.**

---

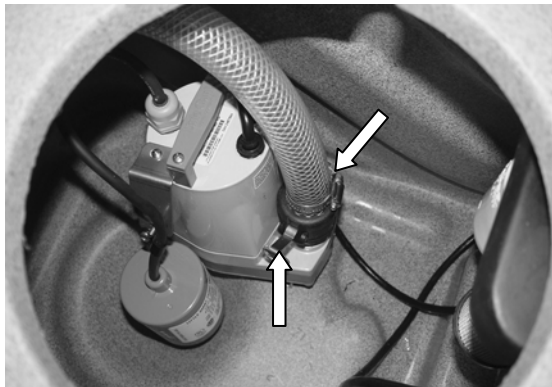
### DAILY MAINTENANCE (Every 4 hours of Operation)

1. Empty and rinse out recovery tank thoroughly.
2. Remove float shut-off screen from recovery tank and clean (Figure 8).



**Fig. 8**

3. Wipe off power cord and check for damage. Replace if necessary. Coil cord neatly after use.
4. Clean machine with an all purpose cleaner and damp cloth.
5. Unlatch locking arms of the bayonet coupler attached to pump (Figure 9).



**Fig. 9**

6. Lift flood pump off mounting bracket located in the bottom of recovery tank. Note its position so it can be returned to this location.
7. Guide float switch and discharge pump through hole in the top of the waste tank (Figure 10).



**Fig. 10**

8. Remove lint and debris from filter on bottom of pump (Figure 11). Remove base filter if necessary.



**Fig. 11**

---

### WEEKLY MAINTENANCE Every 20 hours of operation

1. Inspect vacuum hoses for holes and loose cuffs.
2. Lubricate metal shaft on recovery tank drain.

---

### MONTHLY MAINTENANCE (Every 80 hours of operation)

3. Lubricate wheels with water resistant oil.
4. Inspect machine for water leaks and loose hardware.
5. Open machine and inspect wiring and replace wiring harness if signs of corrosion or heat.

---

### STORING MACHINE

---

1. Before storing machine, be certain to drain and rinse tank
2. Store machine in a dry area in an upright position.
3. Open recovery tank lid to promote air circulation.

# OPERATION

## RECOMMENDED STOCK ITEMS

Refer to Parts List section for recommended stock items. Stock items are clearly identified with a bullet preceding the part number. See example below.

PART #	DESCRIPTION	QTY.
J-30.	LID, DOME	1
• J-38GRANITE	TOP,SOL TANK ROTO GRANITE	1
J-39.5GRANITE	HANDLE,WASTE TANK ROTO GRANI	1
J-39GRANITE	WASTE TANK, ROTO GRANITE	1

## TROUBLE SHOOTING

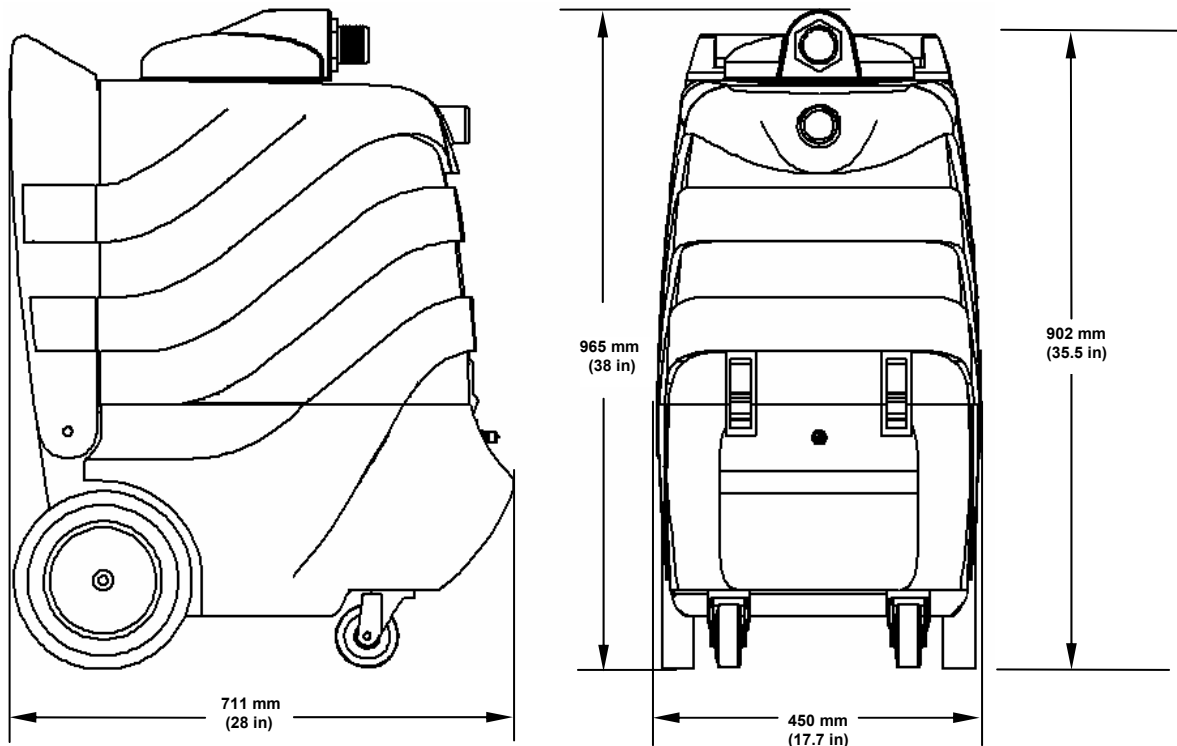
PROBLEM	CAUSE	SOLUTION
Machine does not operate.	Faulty switches or wiring.	Contact Service Center.
	Faulty power cord.	Contact Service Center.
	Building circuit breaker tripped.	Reset Breaker.
Vacuum motor does not operate.	Loose or broken wiring.	Contact Service Center.
	Faulty vacuum switch.	Contact Service Center.
	Defective vacuum motor.	Contact Service Center.
	Worn carbon brushes.	Contact Service Center.
Flood pump does not work	Faulty switch or wiring.	Contact Service Center.
	Float switch tangled in cord.	Untangle cord in vacuum tank.
	Filter screen clogged	Clean filter screen under flood pump.
	Output of flood pump disconnected.	Connect quick coupler in waste tank.
Flood pump does not discharge fast enough	Small diameter garden hose	Use 3/4" minimum diameter garden hose.
	Pump filter screen plugged with debris.	Clean filter screen
	Check valve plugged with debris	Clean or replace check valve.
Poor solution pick-up.	Recovery tank drain valve open.	Close valve.
	Defective recovery tank lid gasket.	Replace gasket.
	Clogged float shut-off screen.	Remove recovery tank lid and clean screen.
	Loose vacuum hose connections.	Secure cuffs to hose.
	Defective vacuum hose.	Replace hose.

# OPERATION

## SPECIFICATIONS

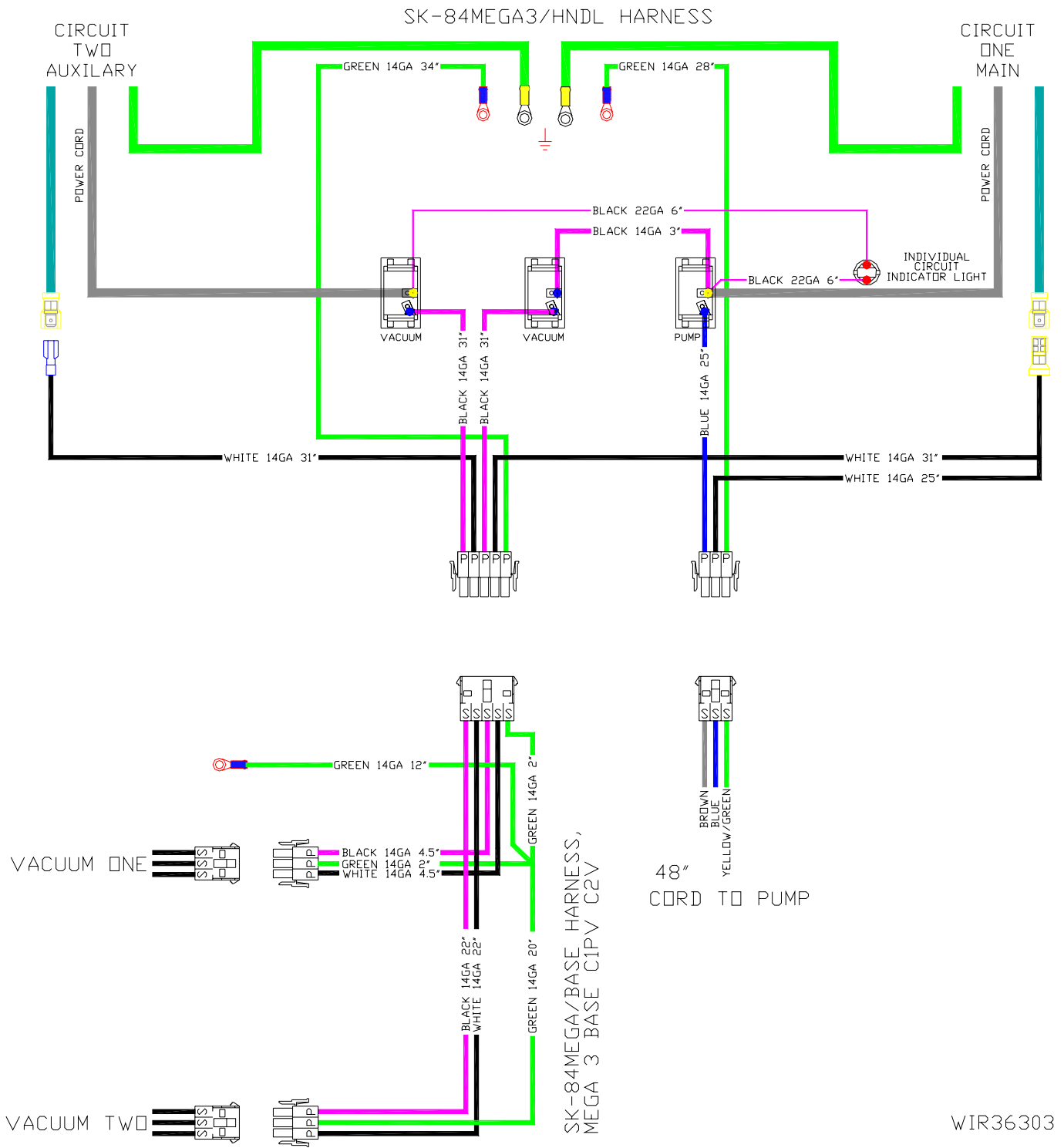
<b>Model</b>	<b>36303</b>
LENGTH	711 mm (28 in)
WIDTH	450 mm (17.7 in)
HEIGHT	965 mm (38 in)
WEIGHT	46 Kg (102lbs)
RECOVERY TANK CAPACITY	56.7 L (15 gal)
DISCHARGE PUMP	120 V, 94.6 LPM (25 GPM), 5 A
VACUUM MOTORS – 3 STAGE	2 @ 120 V, 10.6 A, 1272 W
SEALED WATER LIFT	3454 mm (136 in) 5.66CMM (200 CFM)
TOTAL POWER CONSUMPTION	CIR 1– 120V,15A, 1800W CIR 2– 120V, 10.6A, 1272W
POWER CORDS	2 @ 7.6m (25 ft) 3/12
DECIBEL RATING 3 METERS (10 FT) FROM MACHINE ON CARPET	<68 db(A)

## MACHINE DIMENSIONS

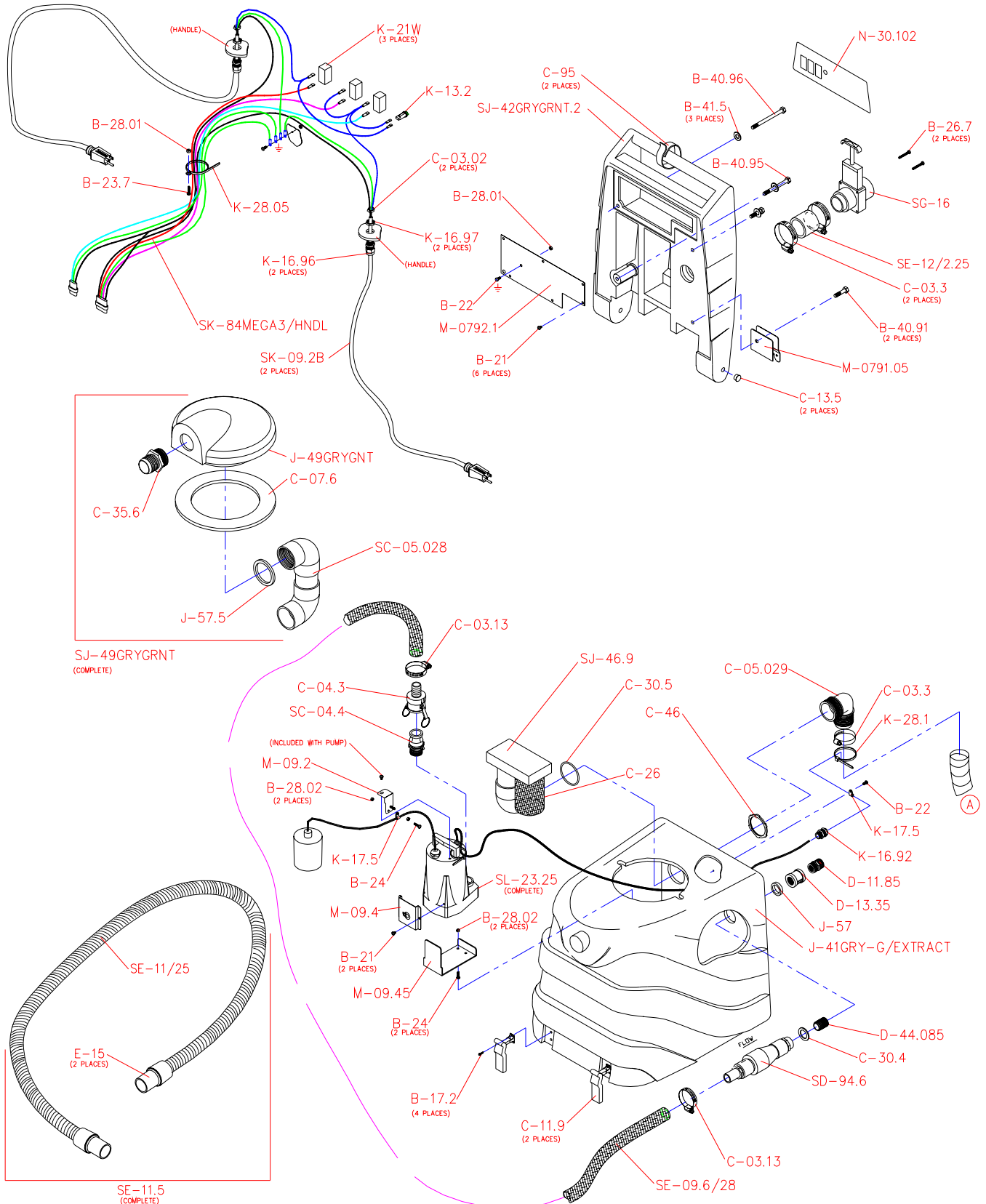




120 V WIRING DIAGRAM



TANK GROUP



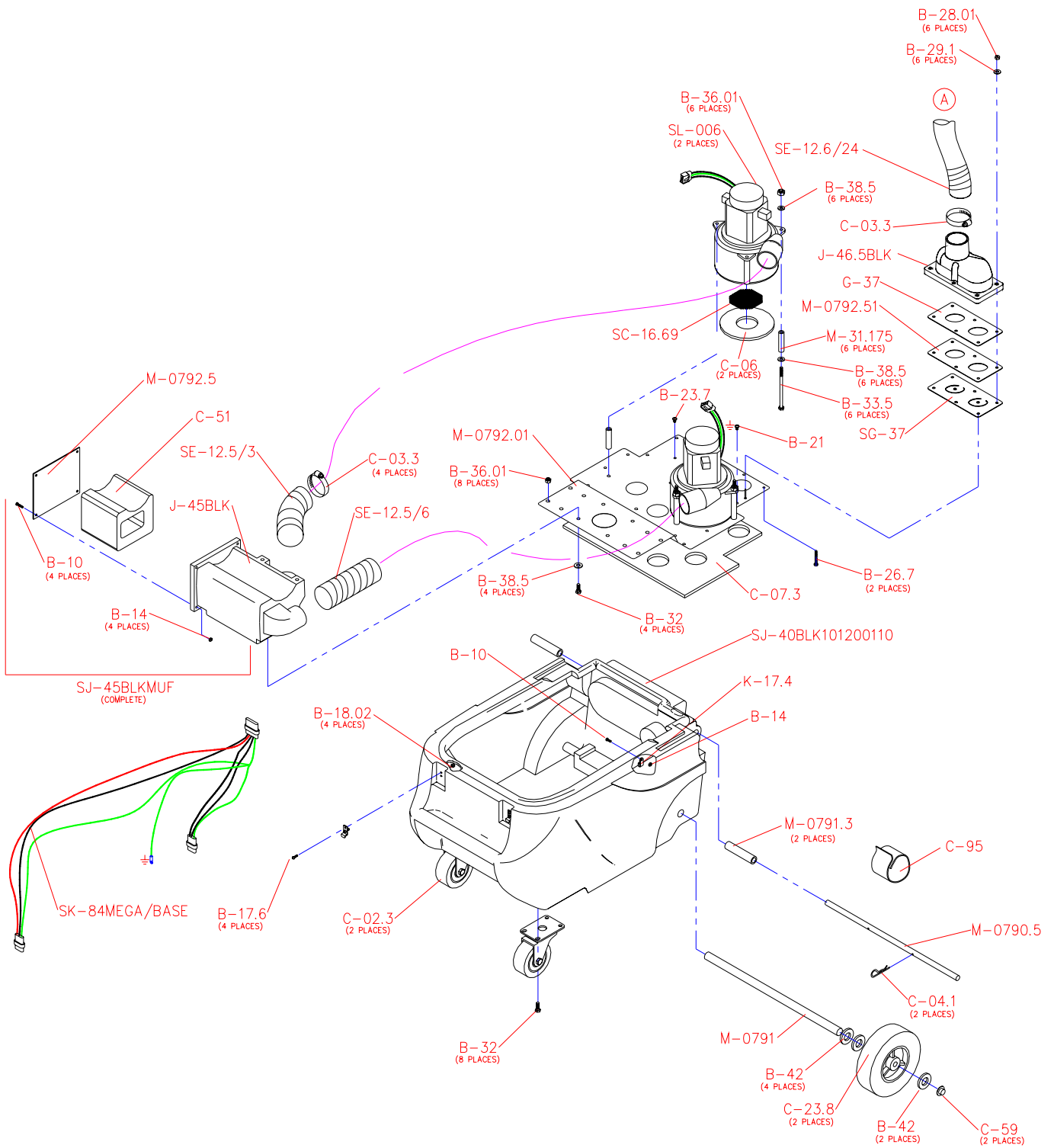
## TANK GROUP

PART #	DESCRIPTION	QTY.
B-17.2	8-32 X 1/2 PHXSS	4
B-21	10-32 X 5/16 PHXSS	8
B-22	10-32 X 7/16 PHXSS	2
B-23.7	10-32 X 5/8 PHXSS	1
B-24	10-32 X 3/4 PHXSS	3
B-26.7	10-32 X 1 1/2 PHXZINC	2
B-28.01	NUT 10-32 HEX ZINC	2
B-28.02	NUT, 10-32 SS NYLOCK	4
B-40.91	3/8-16 X 1 1/2 HEX ZINC	2
B-40.95	3/8-16 X 3 1/2 HEX ZINC	1
B-40.96	3/8-16 X 4 HEX ZINC	1
B-41.5	WASHER, 3/8 FLAT ZINC	3
C-03.02	CLAMP, HOSE 1/4" #4	2
C-03.13	CLAMP, HOSE 1 3/4 #20	2
C-03.3	CLAMP, HOSE 2 1/4 #32	3
C-04.3	COUPLER, QC SHANK 1" HOSE	1
C-05.029	ELBOW, 90 2"INSERT X 2 MPT PVC	1
C-07.6	GASKET,LID FLD WATER RMVL&EDGE3	1
C-11.9	LATCH, SOFT DRAW BLACK	2
C-13.5	PLUG, HOLE NYLON .562	2
C-26	FLOAT,VAC SHUT OFF ROTO	1
C-30.4	GASKET, 1"ID FLAT RUBBER	1
C-30.5	GASKET, 2"ID RUBBER	1
C-35.6	HOSE BARB, 2"MPT X 2"BARB	1
C-46	LOCKNUT, 2" METAL	1
C-95	VELCRO, ONE WRAP STRAP 1/2" X 12"	2
D-11.85	COUP, 3/4"MPT X 3/4MHT GARDEN HOSE	1
D-13.35	COUPLING, 3/4" GALVANIZED	1
D-44.085	NIPPLE 3/4" CLOSE PVC	1
E-15	CUFF, 2" SLIP 2.000" HOSE	2

- RECOMMENDED STOCK ITEMS

PART #	DESCRIPTION	QTY.
J-41GRYG/EXTRACT	TANK,EDGE GREY ROTO MEGA EXTRACTION	1
J-49GRYGRNT	LID,MEGA/E3 ROTO GREY GRANITE	1
J-57	SPACER, ROTO 1.5"OD X 1.0"ID	1
J-57.5	SPACER,ROTO 3"OD X 2.4"ID	1
K-13.2	LIGHT, GREEN ROUND	1
K-16.92	BUSHING, RELIEF 3/8 NPT	1
K-16.96	BUSHING,RELIEF 1/2 NPT	2
K-16.97	NUT,NYLON BUSHING REL.1/2	2
K-17.5	CLAMPS, NYLON CABLE 3/8	2
• K-21W	SWITCH, SPST WATER RESIS	3
K-28.05	TIE, WIRE NYLON #10 SCREW	1
K-28.1	TIE WRAP,8" LONG NATURAL	1
M-0791.05	BRACKET,DUMP VAL MNT EDGE	1
M-0792.1	PLATE,HANDLE SW COVR EDGE	1
M-09.2	BRACKET, SUB PUMP CORD SUPPORT MEGA	1
M-09.4	BRACKET, SIDE PUMPT MOUNT MEGA	1
M-09.45	BRACKET, BASE PUMP MOUNT MEGA	1
SC-04.4	COUPLER,QC MALE 1" 5/64 PRIME HOLE	1
SC-05.028	ELBOW, PVC ASSY MEGA LID COMPLETE	1
• SD-94.6	CHECK VALVE, COMPLETE ASM MEGA	1
SE-09.6/28	HOSE,1 3/8 TYGON CLR BRD 28"LONG	1
SE-11.5	HOSE,2"X25' W/ 2"X2"CUFF	1
SE-12/2.25	HOSE,2" VINYL X 2.25"	1
• SG-16	VALVE,DUMP 1.5 W/PVC EXT	1
SJ-42GRYGRNT.2	HNDL,ED 3 SWT & 1 CI LIGHT GREYGRNT	1
SJ-46.9	MANIFOLD, ASM FILTER SHUT OFF 2"	1
SJ-49GRYGRNT	LID, VAC MEGA/E3 GRY GRNT	1
SK-09.2B	CORD, 25' 12/3 SJT W/TREM APPL	2
SK-84MEGA3/HNDL	HARNESS, MEGA3 HNDL C2V C1VP	1
• SL-23.25	PUMP, SUBMSBLE 115V W/FLT TRMNTD	1

BASE GROUP



## BASE GROUP

PART #	DESCRIPTION	QTY.
B-10	6-32 X 1/2 PHXSS	5
B-14	NUT 6-32 HEX SS	5
B-17.6	8-32 X 3/4PHX ZINC	4
B-18.02	NUT 8-32 NYLOK, ZINC	4
B-21	10-32 X 5/16 PHXSS	1
B-23.7	10-32 X 5/8 PHXSS	1
B-26.7	10-32 X 1 1/2 PHXZINC	2
B-28.01	NUT 10-32 HEX ZINC	6
B-29.1	WASHER,#10 SS	6
B-32	1/4-20 X 3/4 HEX HD CP	12
B-33.5	1/4-20 X 4 1/2 HEX CP	6
B-36.01	NUT 1/4-20 NYLOK ZINK	14
B-38.5	WASHER, 1/4 FLAT CP	16
B-42	WASHER 9/16 x 1 1/4 FLAT	6
C-02.3	CASTER 3 1/2"	2
C-03.3	CLAMP, HOSE 2 1/4 #32	5
C-04.1	COTTER, HAIRPIN 7/16-9/16	2
C-06	GASKET, BLOWER/ARLON 1/4"	2
C-07.3	GASKET,VAC SEAL EDGE BASE	1
C-23.8	WHEEL 10" - 1/2"BORE	2
C-51	MUFFLER, FOAM EDGE	1
C-59	PUSHNUT FASTNER, 1/2 CAP	2

PART #	DESCRIPTION	QTY.
C-95	VELCRO, ONE WRAP STRAP 1/2" X 12"	1
G-37	VALVE,VAC SHUT OFF DUAL	1
J-45BLK	PMP MNT,DRLD 2 VAC SILNCE BLCK ROTO	1
J-46.5BLK	MANFLD, BLWR INTAKE 2" ROTO	1
K-17.4	CLAMP,NYLON CABLE 1/4"	1
M-0790.5	AXIL, ROD 1/2 EDGE ECONO	1
M-0791	AXIL, ROD 1/2 EDGE	1
M-0791.3	PIVOT, TUBE EDGE 3.400"	2
M-0792.01	PLATE,VAC MNT 2 VAC PARALL - QUIET	1
M-0792.5	PLATE,MUFFLER END EDGE	1
M-0792.51	PLATE,FLAPPER VALVE-EDGE	1
M-31.175	STAND-OFF 5.7 EDGE 3.190	6
N-30.102	PNL,SW EDGE PVV	1
SC-16.69	SCREEN,BLOWER GUARD	2
SE-12.5/3	HOSE,2"FLEX EXH 3" LONG	1
SE-12.5/6	HOSE, 2" FLEX EXH 6"	1
SE-12.6/24	HOSE, 2" CLR WIRE SUPPORT 24"LONG	1
SG-37	VALVE,DUAL FLPR MODI EDGE	1
SJ-40BLK101200110	BASE,BLK DRDL PAR W/QT MEGA	1
SJ-45BLKMUF	MUFFLER,EDGE ASM	1
SK-84MEGA/BASE	HARNES, MEGA 2OR3 BASE VVP	1
• SL-006	BLOWER,3STG 120V 5.7 COMP	2

- RECOMMENDED STOCK ITEMS

## **EDGE WARRANTY POLICY**

---

### **LABOR & PARTS POLICY**

---

For the first 12 months from the date of original purchase, upon Kleenrite's determination, product manufacturing defects will be repaired or replaced at no charge for labor and/or parts provided that the machine or part(s) is delivered or shipped freight prepaid to Kleenrite or its designated repair center and provided that a Return Authorization is obtained from Kleenrite prior to machine or part(s) being shipped. (See "How to Obtain a Return Authorization".)

Kleenrite is not responsible to pay for parts supplied by or labor performed by any of its distributors or any general service companies.

### **PARTS ONLY – STANDARD REPLACEMENT POLICY**

---

For the first 12 months from the date of original purchase, in the event that a part believed to be under warranty fails, simply call Kleenrite to obtain a Return Authorization, ship the part freight prepaid to Kleenrite and, Kleenrite will either repair or replace the part at no charge if it is determined that failure was a manufacturing defect. Kleenrite will then ship the repaired or replaced part back to you freight collect. Our service department can usually talk a person through any part replacement procedure in a matter of minutes. There is no charge for this nationwide toll-free service.

### **PARTS ONLY – EMERGENCY REPLACEMENT POLICY**

---

For the first 12 months from the date of original purchase, in the event that a part believed by the registered owner to be under warranty fails and an immediate replacement part is requested before Kleenrite can inspect the part that is suspected to be faulty or have a chance to repair it, Kleenrite will ship the requested part on a COD basis (part plus freight) or if credit has been established prior to the request the part will be shipped on an Open Account basis (part plus freight). A Return Authorization must be requested at the time of order so that the suspected defective part can be returned freight prepaid to Kleenrite for warranty consideration. If after receiving the part, Kleenrite determines that the part has a manufacturing defect and can be repaired, the part will be repaired to normal working condition and returned (freight collect) to the original registered owner as a spare part and no refund will be made. Should Kleenrite determine that the part is covered by warranty and cannot be repaired, Kleenrite will credit an open account customer the same amount as was charged when the replacement part was sent less freight and will refund a COD customer the same way. However, should Kleenrite determine that the part received was not a manufacturing defect, you will be informed of such and credit will not be given nor will the damaged part be returned unless requested specifically to the registered owner.

### **HOW TO OBTAIN A RETURN AUTHORIZATION**

---

Prior to shipping any part, assembly or machine to Kleenrite a Return Authorization Number must be requested from Kleenrite and displayed prominently on the outside of all packages containing parts or machines for warranty consideration to be processed and in effect. A Return Authorization can be obtained by calling Kleenrite Service Department at 1-800-241-4865 or 1-559-673-5700. The machine and/or part serial number must be communicated to Kleenrite Customer Service to receive a Return Authorization Number. Any machine, part or assembly must be returned with its original serial number as affixed by Kleenrite for warranty consideration to be in effect. All returns will be sent to Kleenrite at 1122 Maple Street, Madera Ca. 93637. Fax communications can be sent to 1-559-673-5725 and emails sent to [kleenritemfg.com](mailto:kleenritemfg.com).

# WARRANTY

---

Kleenrite Equipment, Inc. warrants the Mega Extraction Machine against defects in material and workmanship under normal use and service. Kleenrite, hereby, extends a limited three-year warranty on the polyethylene machine housing of the Mega against cracking or leaking and a one-year warranty on the rest of the machine against manufacturing defect or workmanship subject to the terms and conditions that follow.

## TERMS AND CONDITIONS

The warranty obligation extends only to the repair or replacement of parts, assemblies or machine housing found upon examination by Kleenrite to be defective in manufacturing or workmanship, and Kleenrite reserves the right to make that determination. Any adjustment or replacement of defective parts made under this warranty does not void the warranty; neither does it extend the original warranty beyond its term.

Repair or replacements of any machine component(s) with any part(s) other than genuine Kleenrite parts will immediately void this and all warranties.

Filters, brass fittings, seals, o-rings and quick disconnects are considered expendable in normal use and are not covered by this warranty.

Dry cleaning solvents cannot be used in the Mega.

This warranty shall not cover any Mega machine housing, part or assembly if there is evidence of misuse, alteration, owner neglect, lack of proper maintenance, improper chemical use, improper voltage, abuse, accident, freezing, flood, fire, etc. and any and all circumstances beyond Kleenrite's control.


In no event shall Kleenrite be liable for loss of use, incidental or consequential damages or any damages to persons or property.

**KLEENRITE** 1122 MAPLE STREET, MADERA CA 93637 USA  
Phone 800-241-4865, 559-673-5700; Fax 559-673-5725; Email [kleenritemfg.com](mailto:kleenritemfg.com)

PLEASE RETURN REGISTRATION WITHIN 10 DAYS OF RECEIVING YOUR MEGA EXTRACTION MACHINE.

**SPECIALS:** Check our web site at: [kleenritemfg.com](http://kleenritemfg.com) for parts and equipment price specials.

## KEEP THIS COPY FOR YOUR RECORDS

<b>WARRANTY REGISTRATION</b> 	Date Received
	Registered Owner(s)
	Address
	Phone Number
	Fax Number
	Email Address
	Machine Serial Number
	Purchased From (Distributor)

# WARRANTY

---

Kleenrite Equipment, Inc. warrants the Mega Extraction Machine against defects in material and workmanship under normal use and service. Kleenrite, hereby, extends a limited three-year warranty on the polyethylene machine housing of the Edge against cracking or leaking and a one-year warranty on the rest of the machine against manufacturing defect or workmanship subject to the terms and conditions that follow.

## TERMS AND CONDITIONS

The warranty obligation extends only to the repair or replacement of parts, assemblies or machine housing found upon examination by Kleenrite to be defective in manufacturing or workmanship, and Kleenrite reserves the right to make that determination. Any adjustment or replacement of defective parts made under this warranty does not void the warranty; neither does it extend the original warranty beyond its term.

Repair or replacements of any machine component(s) with any part(s) other than genuine Kleenrite parts will immediately void this and all warranties.

Filters, brass fittings, seals, o-rings and quick disconnects are considered expendable in normal use and are not covered by this warranty.

Dry cleaning solvents cannot be used in the Mega.

This warranty shall not cover any Mega machine housing, part or assembly if there is evidence of misuse, alteration, owner neglect, lack of proper maintenance, improper chemical use, improper voltage, abuse, accident, freezing, flood, fire, etc. and any and all circumstances beyond Kleenrite's control.


In no event shall Kleenrite be liable for loss of use, incidental or consequential damages or any damages to persons or property.

**KLEENRITE** 1122 MAPLE STREET, MADERA CA 93637 USA  
 Phone 800-241-4865, 559-673-5700; Fax 559-673-5725; Email kleenritemfg.com

PLEASE RETURN REGISTRATION WITHIN 10 DAYS OF RECEIVING YOUR MEGA EXTRACTION MACHINE.

**SPECIALS:** Check our web site at: [kleenritemfg.com](http://kleenritemfg.com) for parts and equipment price specials.

PLEASE RETURN THIS ENTIRE SHEET

<p><b>WARRANTY REGISTRATION</b></p> 	Date Received
	Registered Owner(s)
	Address
	Phone Number
	Fax Number
	Email Address
	Machine Serial Number
	Purchased From (Distributor)